

# FLIGHT CASE

USER MANUAL

[www.sunslice-solar.com](http://www.sunslice-solar.com)

## Table of contents

INTRODUCTION	2
PRODUCT OVERVIEW	2
QUICK START	3
KEY FEATURES	4
SPECIFICATIONS	4
OPTIONAL CABLE	4
OUR WARRANTIES	5
PRECAUTIONS	5

[Click to go to the desired page](#)

## INTRODUCTION

Thank you for your purchase. We hope you will have a great experience using the Sunslice Flight case. The Flight case was designed and engineered in Belgium by Sunslice, with great care and passion, and based on extensive feedback from our users.

This all-in-one power solution is designed for adventurers, outdoor enthusiasts, and anyone needing reliable energy on the go.

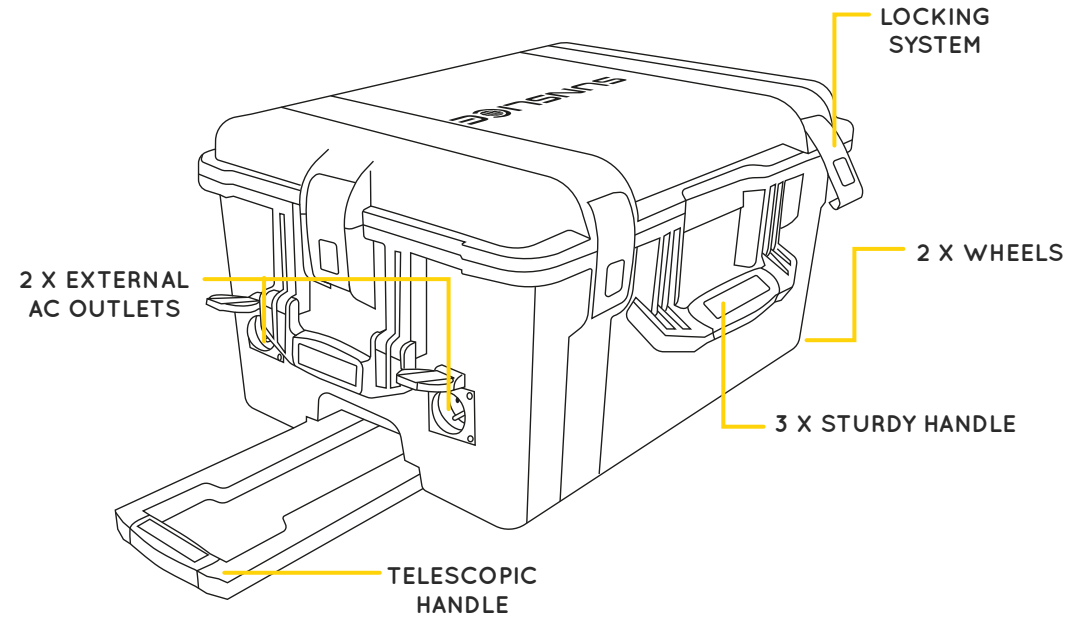
We hope you will be fully satisfied by your Sunslice Flight case.

This manual contains important safety and product care information, as well as step-by-step instructions for using your Flight case. To get the greatest benefit from your purchase, we recommend you read the manual thoroughly, and keep it in a safe place in case you need to refer to it later.

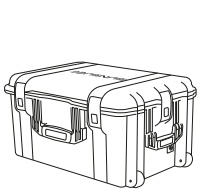
*Geoffroy & Henri*

## PRODUCT OVERVIEW

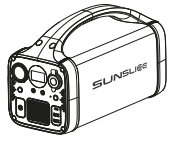
Weight : 8.5kg



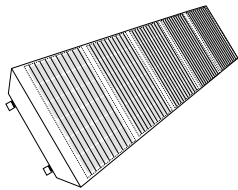
## IN THE BOX



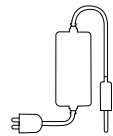
Flight case



Gravity 756



Fusion 150



AC/DC Adapter



DC5521 (male) to DC5521 (male) & DC6530 (male) 5M Cable

## COMPATIBLE WITH



LAPTOP



SMARTPHONE



TABLET



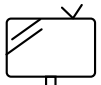
GoPro



CAMERA



DRONE



TV



DESKTOP PC



FRIDGE



TABLE LAMP

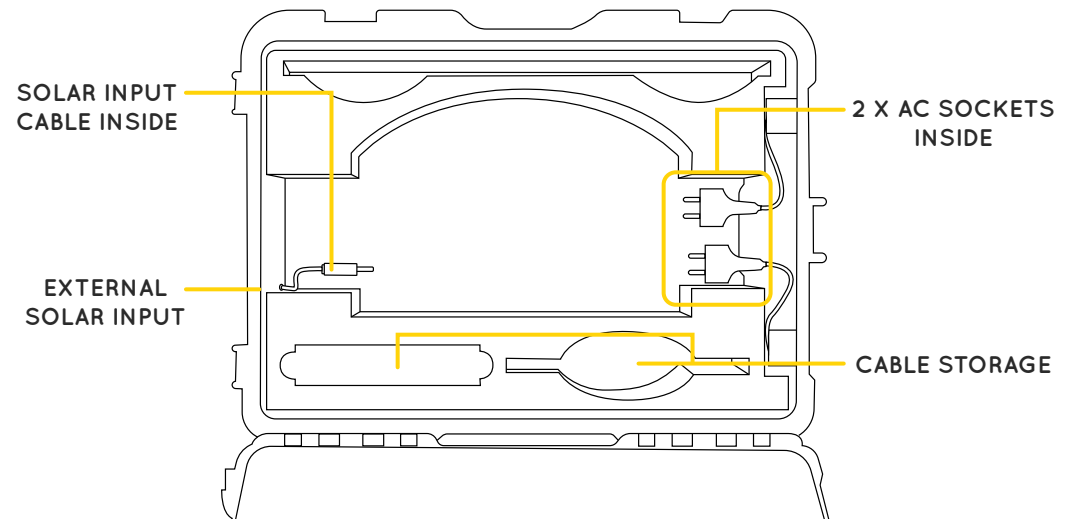


ELECTRIC BIKE



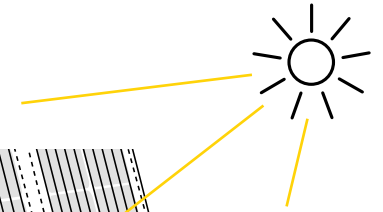
ELECTRIC DRILL

## INSIDE THE CASE

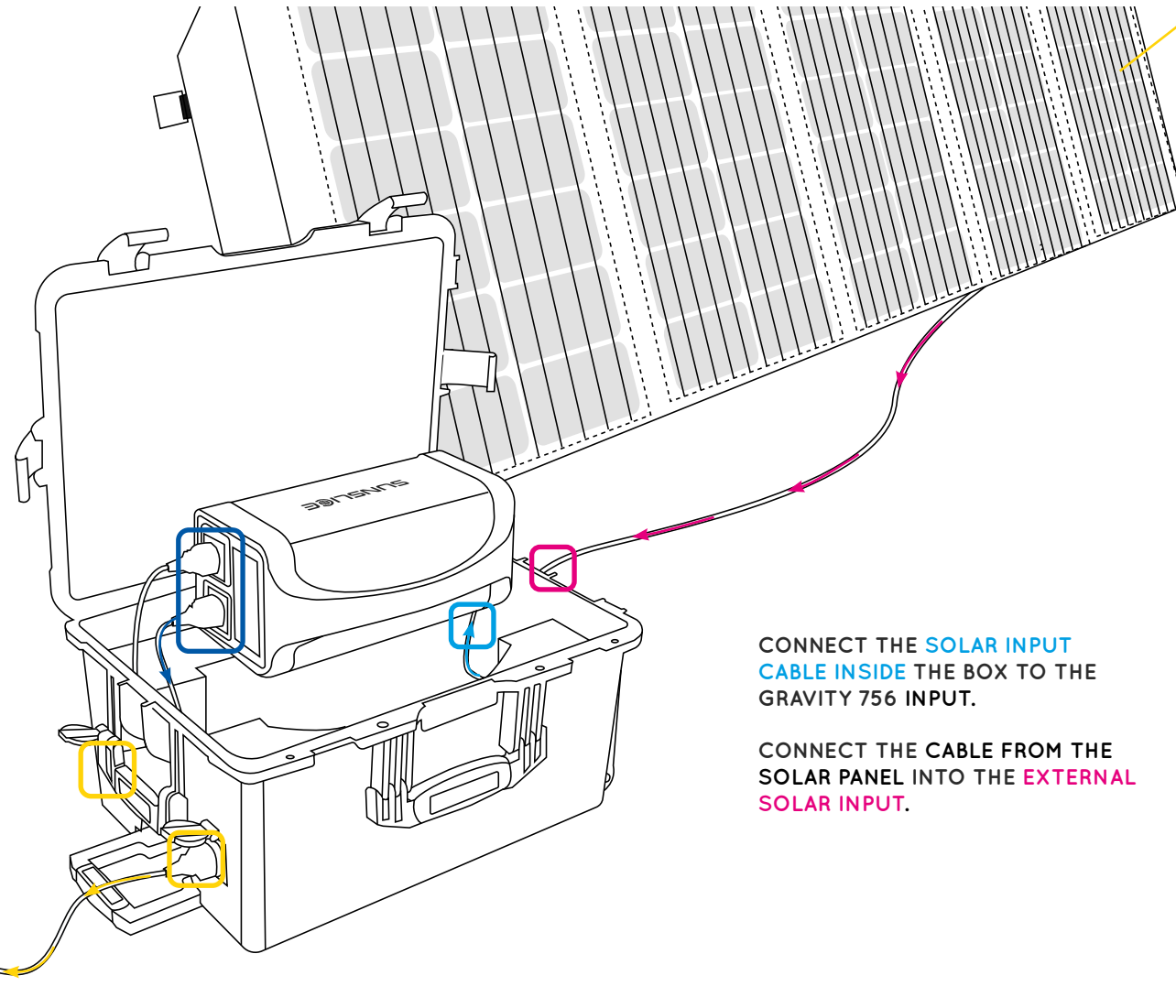


## QUICK START

The solar flight case is very easy to set up. Please refer to the drawing below to connect the Gravity 756 and the Fusion 150 solar panel to the flight case.



EXTERNAL AC SOCKETS THAT CAN BE CONNECTED DIRECTLY TO THE GRAVITY 756 VIA THE INTERNAL SOCKETS



CONNECT THE SOLAR INPUT CABLE INSIDE THE BOX TO THE GRAVITY 756 INPUT.

CONNECT THE CABLE FROM THE SOLAR PANEL INTO THE EXTERNAL SOLAR INPUT.

Once everything is connected correctly, you can close the case and connect your devices to the external AC plugs of the flight case. In case you need to use the USB ports of the Gravity 756, you will need to open the case and connect **your devices** directly to the power station.

## KEY FEATURES

- WATERPROOF
- SHOCKPROOF
- 2 x EXTERNAL WATERPROOF AC OUTLETS
- 1 x EXTERNAL SOLAR/AC CHARGER INPUT
- HANDY SIZE
- GREAT PORTABILITY

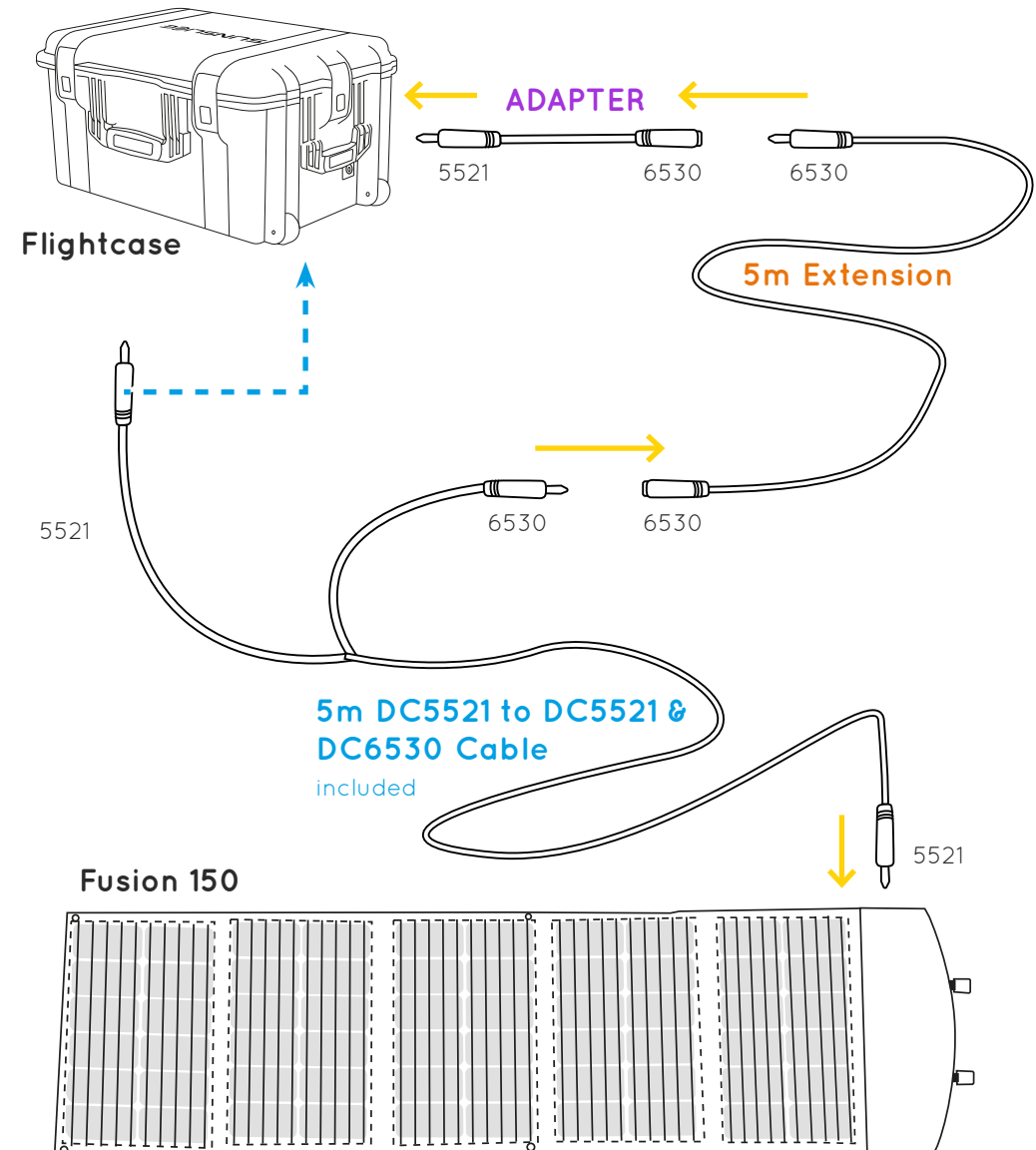
## SPECIFICATIONS

<b>WATERPROOF</b>	IP54
<b>MATERIAL</b>	ABS + Impact-resistant foam
<b>WEIGHT</b>	24.7 kg <i>Kit</i> , 8.5 kg ( <i>Flight case only</i> )
<b>DIMENSIONS</b>	620 x 450 x 335 mm
<b>GRAVITY 756</b>	See User Manual <a href="#">Gravity 756</a>
<b>FUSION 150</b>	See User Manual <a href="#">Fusion 150</a>

## OPTIONAL CABLE

Sunslice supplies a **5m DC5521 to DC5521 & DC6530 cable**, but you can also purchase a **5m EXTENSION CABLE** to position your solar panel wherever you like. And a **DC6530 to DC5521 ADAPTER** to connect the panel to the Flightcase. Here's how to use it.

*All this is optional.*



## OUR WARRANTIES

### PREMIUM QUALITY

We select the finest materials to insure a high quality and durability for all of our products.

### 2 YEARS WARRANTY

The Fusion has a 2 year warranty. In case something goes wrong, please contact us directly by email at :

**service@sunslice-solar.com**

Before contacting us, please have a look at our FAQ at :

**[www.sunslice-solar.com/apps/help-center](http://www.sunslice-solar.com/apps/help-center)**

## PRECAUTIONS

**It the kit does not charge your device, please read this user manual again. If the problem lasts, please contact us.**

- The Gravity 756 is not allowed in the plane.
- Do not puncture, throw, drop, bend or modify the power station and solar panel.
- The flight case protects its contents when used under conditions intended for the power station and solar panel. Sunslice cannot be held responsible for damage to contents, the flightcase, or any external devices in the event of improper use of the equipment.
- The wheels are not intended for use on stairs or over rough, damaged surfaces.
- Do not carry alone.

- Handle and store upright. Sunslice logo on top.
- Do not pull on the internal cables of the flight case. Handle with care, and ensure to disconnect cables from the flight case when removing the power station.
- Do not use excessive force when connecting or disconnecting cables to/from the Gravity.
- Do not leave the solar kit exposed to rain when the flightcase is open. Prevent water from getting inside the flight case.
- If it's hot outside and the power station is in use, partially open the flightcase to allow proper ventilation.
- Do not short-circuit the power station, solar panel, or flight case connections with wires or any metal objects.
- Keep the battery ports free from dust, lint, etc that may prevent proper connections.
- Please recharge Gravity at least every 3 months and store it fully charged. The battery may discharge slowly and become damaged over time.
- Do not disassemble the power station, solar panel or flightcase, or change its structure in any way.
- Stop using the power station if it generates unusual smell, heating, distortion or any other abnormality.
- Keep away from children.

**You are welcome on our website to learn more about our products.**

**[www.sunslice-solar.com](http://www.sunslice-solar.com)**

Sunslice SRL  
Chemin du Cyclotron 6,  
1348 Louvain-la-Neuve, Belgique

