

# SAILOR® 7200 GMDSS

Next generation safety at sea

**COBHAM  
SATCOM**

Product Sheet

**The SAILOR 7200 GMDSS terminal from Cobham Satcom sets a new benchmark in maritime safety communications. Built on Cobham Satcom's decades of innovation in maritime safety, this compact, all-in-one terminal delivers next-generation GMDSS functionality for the Iridium® network, providing essential voice and data services while enabling Ship Security Alert System (SSAS) and Long-Range Identification and Tracking (LRIT) in a single integrated platform.**

## Global Reach, Unmatched Reliability

Designed specifically for Iridium Certus® 100, the SAILOR 7200 GMDSS delivers global coverage, including polar regions, ensuring reliable safety communications wherever vessels operate. It supports real-time distress voice calling, safety messaging, and urgent data transmission, supporting an effective response support during emergencies. Combined with low-latency connectivity and robust service availability from Iridium's unique LEO satellite constellation, it is ideally suited to today's evolving regulatory and operational requirements.

## Integrated Design for Easy Operation

The SAILOR 7200 GMDSS comprises a rugged omnidirectional antenna with integrated terminal intelligence, a below-deck unit (BDU) for simplified power and data connections, and a dedicated safety terminal featuring the trusted SAILOR user interface. This design not only ensures fast, intuitive operation and easy installation, but also streamlines integration with bridge systems and reduces total cost of ownership.

As a standalone Iridium GMDSS solution, SAILOR 7200 supports seamless deployment for GMDSS, SSAS, and LRIT compliance on SOLAS vessels and other ships requiring safety-certified connectivity. Its compact footprint and efficient power usage further enhance suitability for all vessel types, from merchant fleets to fishing and expedition vessels.



## Built for Safety and Simplicity

- GMDSS voice and data via Iridium Certus® 100
- Integrated SSAS and LRIT capability
- Truly global satellite coverage, including polar regions
- Compact, omnidirectional antenna with built-in intelligence
- Proven SAILOR user interface for consistent, intuitive operation
- Simplified installation and low total cost of ownership

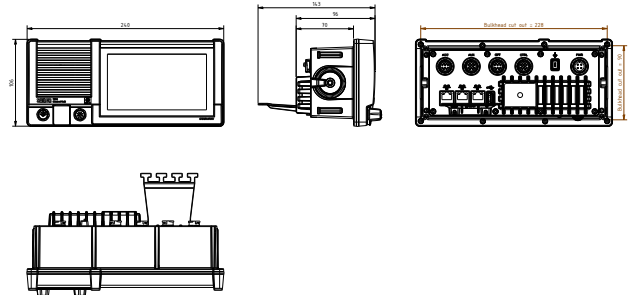
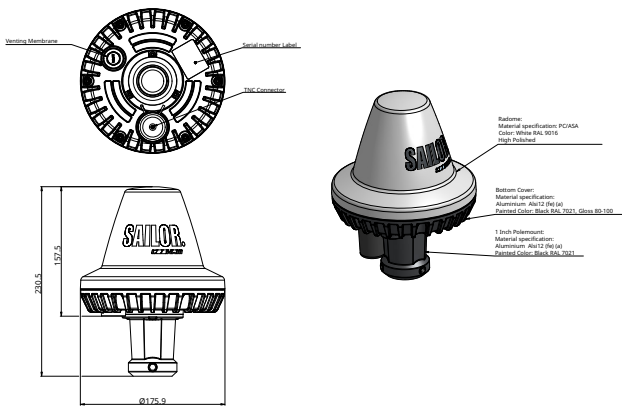
With SAILOR 7200 GMDSS, Cobham Satcom continues its mission to deliver the highest standards of safety at sea, enabling dependable, future-ready maritime safety communications across a wide range of services and vessel types.

# SAILOR 7200 GMDSS

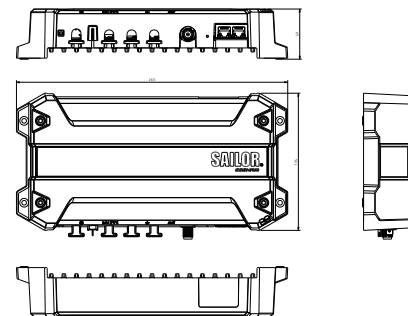


TT-4310 Above Deck Unit	
Iridium terminal class	Certus 100
Antenna type	Omni directional
Weight	1.6 kg (with pole mount) (TBC)
Dimensions	Height: 157.5 mm (without pole mount) 230.5 mm (with pole mount) Diameter: 175.9 mm
Operating temperature	-25°C to 55°C
Storage temperature	-35°C to 85°C
Ingress protection	IPX6
Power supply	Supplied by BDU
Power consumption	12 W typical 28 W max (TBC)
Frequency band	1616 MHz to 1626.5 MHz (RX and TX)
ADU-BDU connection	Coaxial cable, TNC-TNC. Maximum RF loss: 20 dB @ 1643 MHz Maximum DC loss: 2.0 Ω Recommended cable: RG-214U (up to 50 m) LMR-400 (up to 100 m)

Control Unit – General specifications	
Weight	1.0 kg
Dimensions	107 x 241 x 104 mm (H x W x D)
Operating temperature	-15°C to 55°C
Storage temperature	-25°C to 70°C
Ingress protection	IP54 when flush-mounted (Estimated, only front exposed) IP20 for other installation (whole unit exposed)
Power supply	+24 V DC nom. (-10% / +30%)
Power consumption	10 W @ 24 V DC standby 33 W @ 24 V DC max
Display	5.5" TFT with capacitive multi touch 300 cd/m2 brightness 1280x720 resolution 40k hours to half brightness
Speaker	Internal speaker – Max audio output power: 6W (internal LS @ 5 kHz deviation/1kHz)
LAN	3 x RJ45, 10/100 Mbit
USB	USB 2.0, type A. For external keyboard.
ACC port	Handset interface 2 x NMEA RX for GNSS
AUX port	NMEA RX for GNSS
OPT port	NMEA RX/TX for BAM



Below Deck Unit – General specifications	
Weight	1 kg (TBC)
Dimensions	134 x 265 x 49 mm (H x W x D)
Operating temperature	-15°C to 55°C
Storage temperature	-25°C to 70°C
Ingress protection	IP20
Power supply	+24 V DC nom. (-10% / +30%)
Power consumption	7 W (TBC)
SSA ports	6 x alert buttons 1 x test button
LAN	2 x RJ45, 10/100 Mbit
SIM card interface	Mini-SIM card. 2FF 15x25mm
LEDs	2 x Status LEDs



For further information please contact:  
 Cobham Satcom  
 Lundtoftegaardsvej 93 D  
 DK-2800 Kgs. Lyngby, Denmark  
 Tel: +45 3955 8800