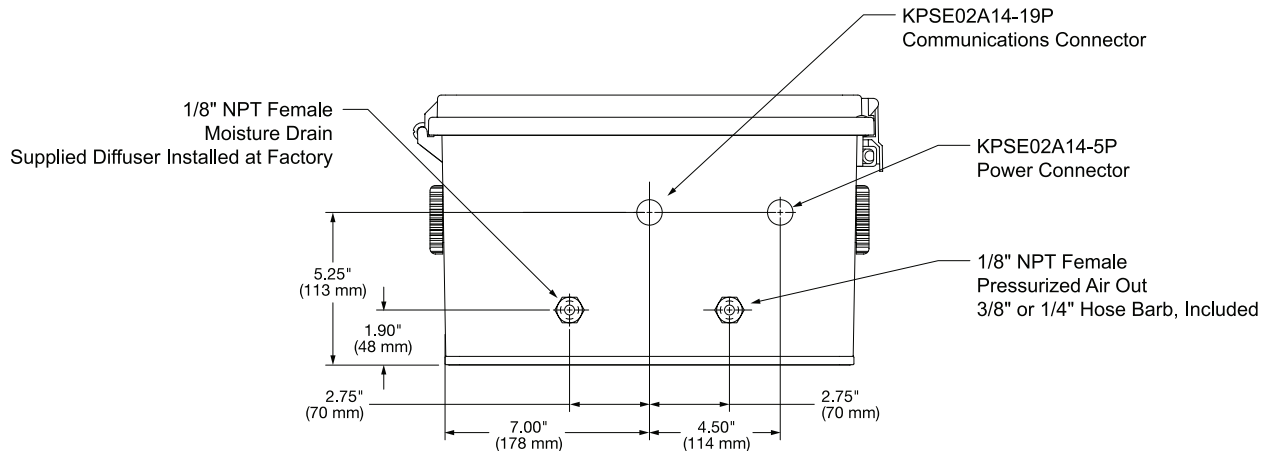




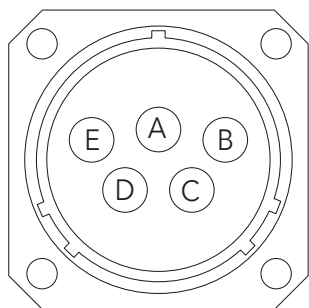
NETCOM® MIL-SPEC TYPE 1

MIL-SPEC CONNECTORS FOR AUTOMATIC DEHYDRATORS

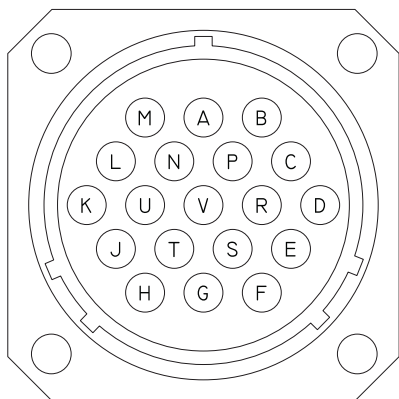


- Includes mating connectors:
- KPSE06A14-19P for Communications Connector
 - KPSE06A14-5P for Power Connector

20AWG UL
KPSE06F14-5S



20AWG UL
KPSE06F14-19P



DESCRIPTION

ADH NETCOM NEMA automatic dehydrators are typically employed as part of a mobile telecommunications platform or in remote, outdoor locations. These types of applications often make it impractical to use electrical conduit for protecting the power and communications wiring from the environment.

The optional Mil-Spec connector kits provide high reliability, quickmating connectors instead of electrical conduit. The Type 1 kit uses two separate connectors for power and communications.

For complete information describing its application, installation and features, please contact Customer Service or check on the web at www.networketi.com.

POWER CONNECTION PIN OUT - P/N- KPSE06F14-5S

Position	Color	AC Connections	DC Connections
A	BLACK	LINED	POSITIVE
B	WHITE	NEUTRAL	NEGATIVE
C	GREEN	GROUND	GROUND
D	NONE	NO CONNECTION	NO CONNECTION
E	NONE	NO CONNECTION	NO CONNECTION

COMMUNICATIONS PIN OU - P/N-KPSE06F14-19P

POSITION	INTERNAL PORT TYPE	DESTINATION PIN	FUNCTION	COLOR
A	RS422A	3	RX +	BROWN
B	RS422A	4	TX +	ORANGE
C	RS422A	6	TX -	YELLOW
D	ALARM	1	Relay 1 close on alarm	TAN
E	ALARM	2	Relay 1 open on alarm	PINK
F	ALARM	3	Relay 2 close on alarm	DARK BLUE
G	ALARM	4	Relay 2 common	WHITE/BLACK
H	ALARM	5	Relay 2 open on alarm	WHITE/RED
J	RS232	2	TX	LIGHT BLUE
K	RS232	3	RX	VIOLET
L	RS232	8	RTS	GREY
M			+5V (from RS422A PIN 2)	RED
N			Ground (from RS422A PIN 1)	BLACK
P	RS422A	9	RX -	GREEN
R	ALARM	9	Relay 1 common	WHITE/GREEN
S	ALARM	10	Relay 3 common	WHITE/YELLOW
T	ALARM	11	Relay 3 open on alarm	WHITE/BLUE
U	RS232	7	CTS	WHITE
V	ALARM	12	Relay 3 close on alarm	WHITE/BROWN

ORDERING INFORMATION

Order#	Description
25921	ADH NETCOM NEMA Automatic Dehydrator, AC w/ Mil-Spec Connectors, Type 1
23739	Type 1 Mil-Spec Connector Accessory Kit (for 25523)

LIMITED WARRANTY

ETI's two year limited warranty covering defects in workmanship and materials applies. Contact Customer Service for complete warranty information.

DISCLAIMER

ETI makes no representations or warranties, either expressed or implied, with respect to the contents of this publication or the products that it describes, and specifically disclaims any implied warranties of merchantability or fitness for any particular purpose. ETI reserves the right to revise this publication, and to make changes and improvements to the products described in this publication, without the obligation of ETI to notify any person or organization of such revisions, changes or improvements.